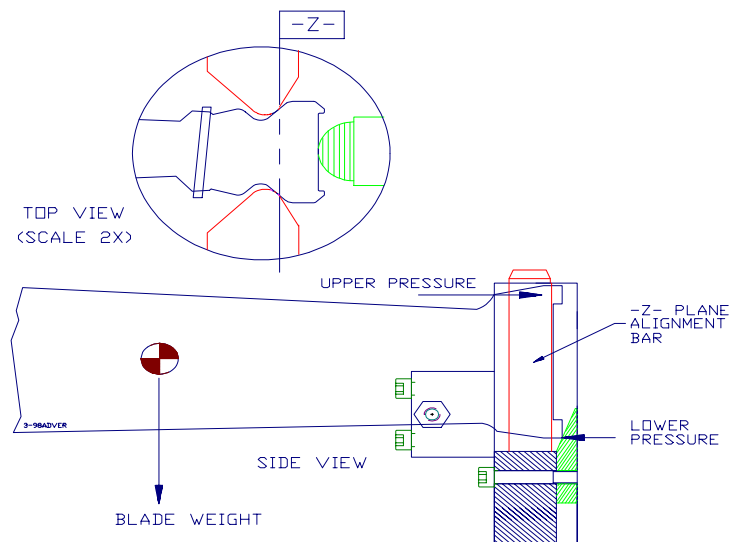


MW Series Single Axis Blade Adapters



Space Electronics “Gravity Wedge” Blade Adapters are more repeatable and easier to use than any other style of adapter. Tare moment is not altered by insertion of blade. Repeatability is often better than 1 part in 100,000. There is no clamping knob to tighten, so operator effort is reduced, and the disturbing force to the scale is minimized. The unique slanted aperture guides the blade into position. A wedge at the bottom of the adapter forces the blade forward, causing the lower surface of the blade to contact the adapter at the Z-plane. The gravity moment then rotates the blade downward, so that the upper surface of the Z-plane also contacts the precision interface surface. Our adapters are made of hardened tool steel. Wear is minuscule, and thermal expansion is 30% of the expansion of an aluminum adapter.

Note: This adapter is not suitable for 3-axis blade measurement.



“Gravity Wedge” Blade Adapters force the blade forward, causing the blade to contact the adapter at the Z-plane. Tare moment is not altered by insertion of blade.